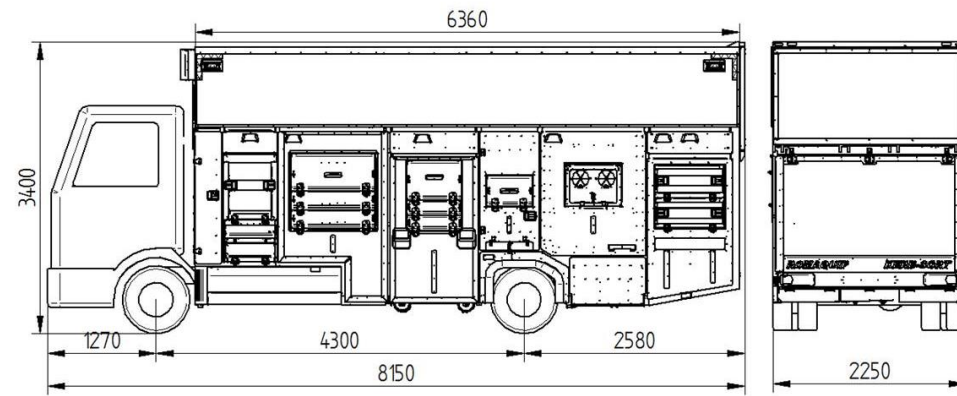


	kg	m	Front axle	Rear axle
Plated weight	12000			
Kerb weight	7730		3330	4400
Wheel base		4,3		
1 no. Passenger Truck full of diesel & Ad blue	80		80	
Plastic @ ~ 88% of 510kg COG Front Axle Load W1 Rear Axle Load W2	448	0.45	47	401
Paper @ ~ 88% of 1200kg COG Front Axle Load W1 Rear Axle Load W2	1052	2.275	557	495
Food @ ~ 88% of 1700kg COG Front Axle Load W1 Rear Axle Load W2	1489	1.1	381	1108
Glass @ ~ 88% of 1000kg COG Front Axle Load W1 Rear Axle Load W2	877	-0.84	-171	1048
Cardboard @ ~ 88% of 350kg COG Front Axle Load W1 Rear Axle Load W2	306	-1.96	-139	445
Additional @ ~ 88% of 20kg COG Front Axle Load W1 Rear Axle Load W2	18	0	0	18
Total weight	12000		4084	7916
Plate Weight	12000		4480	8480
Available load	0		396	564

Romaquip Kerb-Sort 4300mm Restricted 2250mm wide
 DAF LF45 EURO 6 12T 4300mm wheelbase, paper, food, glass and cardboard.

Payload	4270kg*	Length	8150mm
Collection space	28.45m³	Height	3450mm
Width	2250mm		

Section	Volume (m3)	Weight of recyclables (kg)	Theoretical Density ** (kg/m3)
Top deck	15.1	515 (Mixed plastics), 602 (Commingled tetra)	34,41
Paper	3.5	1365	390
Food	2.35	1598	680
Glass	3.4	850	250
Cardboard	2.9	363-590	125-200
Additional	1.2	300	250
Total	28.45	5305	



Specifications subject to change without prior notice
 * Allison 2500 Fully Automatic Transmission- 200kg, High compaction cardboard- 150kg,
 Glass noise reduction system- 70kg, Plastic flaps- 10kg, 2nd passenger- 80kg
 ** Actual density values are to be applied by the customer relative to their experience of their operation